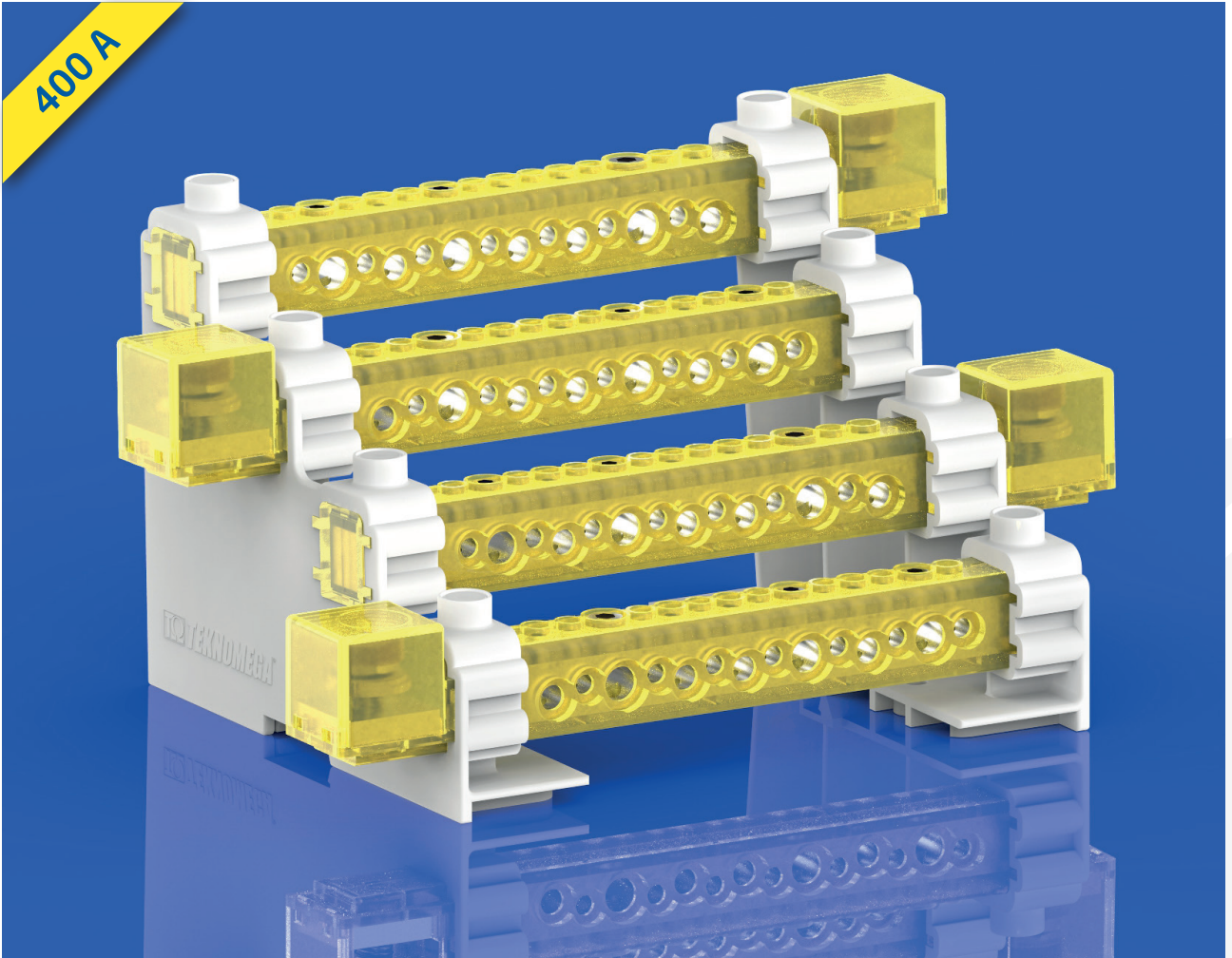


NEW



TECHNICAL FEATURES

The distribution block 400 A, RPQ 1050 is made up of:

- Phase bars in tinned copper with steel screws suitable for aluminium and copper cables
- Insulation between phases by a solid thermoplastic structure and a transparent protective cover
- **Self-extinguishing insulating structure: UL 94-V0**

Compliant with standards EN 60947-7-1

Index IP10 which guarantees safety in accidental contact

ADVANTAGES

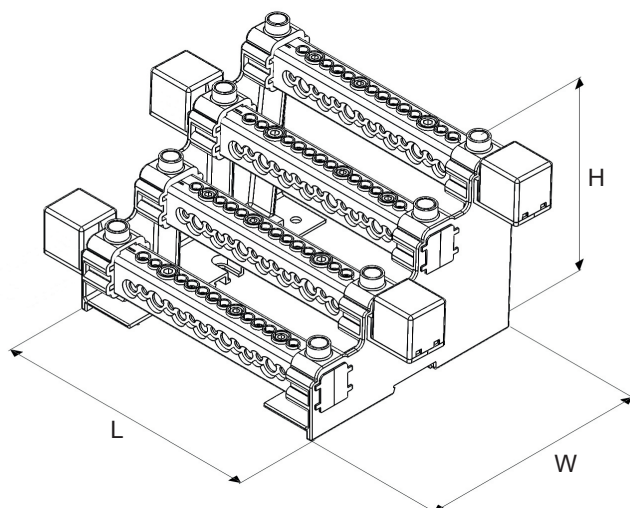
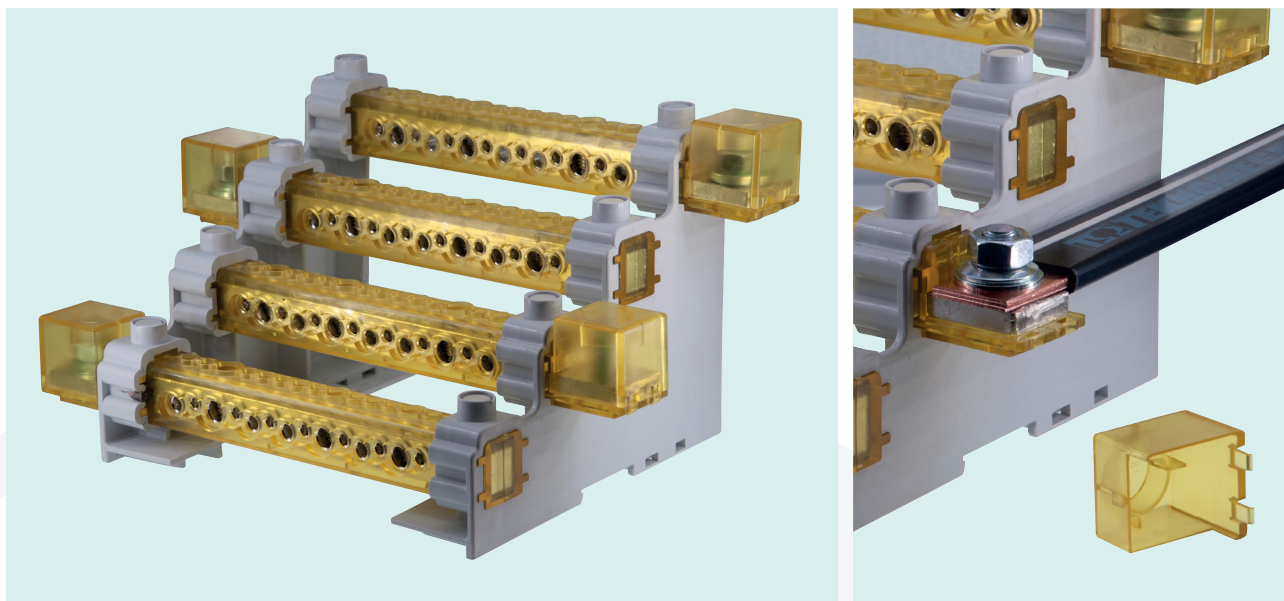
Easy connection: inputs are separated from the outputs

Input connections for: COFLEX, COFLEX PLUS, J-LINK, J-LINK PLUS and cable lugs

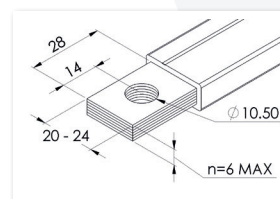
Cable wiring on both sides with or without terminals

Simple fixing: easy installation on DIN rails or on panels with screws

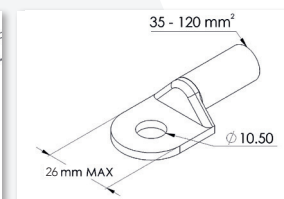
Easy inspection of the wiring cable and verification of the connections



INPUT CONNECTIONS



(*)COFLEX



(*)Cable lugs

4 POLE- 400 A

Code	Reference		L (mm)	H (mm)	W (mm)	Weight (Kg)
RPQ1050	RPQ 400 -14	1	194 (264 with terminals)	141	171	1,9

TECHNICAL DATA

Code	Type	In (A)	IN/OUT	Stripped wire (mm ²)	Wire with ferrule (mm ²)	Nr	∅ (mm)	(Nm)	I _{cc} (kA)	I _{pk} (kA)	U _i (V)
RPQ1050	4 POLE - 14 OUTPUTS	400	IN →	35 ÷ 120 (*)	35 ÷ 120 (*)	1	na	20	30	53	1000
			← OUT	10 ÷ 50	10 ÷ 35	1	9,5	8,5			
			← OUT	10 ÷ 35	10 ÷ 25	2	9	6,4			
			← OUT	6 ÷ 25	6 ÷ 16	4	7	3,5			
			← OUT	2,5 ÷ 16	2,5 ÷ 10	7	5,5	2,7			

(*) Possibility to use cable lugs or COFLEX (recommended CFX size: 4x20x1 and 3x24x1)

I_{cc} pk = Short-circuit current peak value expressed in kA

I_{cc} = Effective value of short-circuit current, duration equal to 1 second, expressed in kA as per standard EN 60947-1

U_i = Nominal insulation voltage



Dichiarazione di conformità
Declaration of conformity

Produttore:
Manufacturer:

Teknomega s.r.l.

Descrizione prodotto:
Product description:

Ripartitori Quadripolari
4 Pole Terminal Blocks

Riferimento:
Type designation:

RPQ Series

Il prodotto sopra indicato è conforme alla direttiva europea:
The designated product is in conformity with the European Directive:

2014/35/UE
(Direttiva bassa tensione / Low Voltage Directive)

La conformità alle norme sotto elencate dimostra la conformità del prodotto indicato con le disposizioni della direttiva UE di cui sopra:
Full compliance with the standards listed below proves the conformity of the designated product with the provisions of the above mentioned UE Directive:

Norme europee armonizzate:
Coordinated European standards:

IEC 60947-1

Apparecchiature a bassa tensione: Parte 1: Regole generali
<i>Low-voltage switchgear and controlgear: Part 1: General rules</i>

IEC 60947-7-1

Apparecchiature a bassa tensione
Parte 7-1: Apparecchiature ausiliarie - Morsetti componibili per conduttori di rame
Low-voltage switchgear and controlgear
Part 7-1: Ancillary equipment - Terminal blocks for copper conductors

Emittente / Issuer:
Luogo, Data / Place, Date:

Teknomega s.r.l.
Buccinasco, 07.01.2020

Firma del rappresentante legale:	Maurizio Mercandelli
<i>Legally binding signature:</i>	

Questa dichiarazione certifica la corrispondenza con le linee guida di cui sopra, ma non contiene una garanzia di caratteristiche. Si devono osservare le indicazioni per la sicurezza contenute nella documentazione del prodotto consegnato.
This declaration certifies the correspondence with the above mentioned guidelines, yet does not contain an assurance of characteristics. The safety comments in the delivered product documentation are to be noticed.